



TPP-4

100 » 500kg CAPACITY

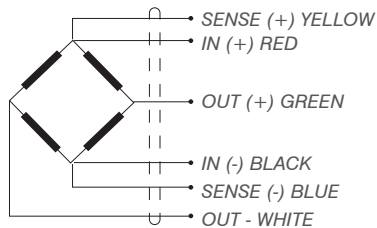
SINGLE POINT

APPLICATIONS

Bench platform up to 600x600 mm.
Hopper weighing.

FEATURES

Single point load cell.
Bending beam load cell.
Fully stainless steel construction.
3000 divisions OIML R60 Class C.
Direct platform mounting.
High accuracy with off-center loads.
Low profile.
Protected against humidity IP68 (EN60529).

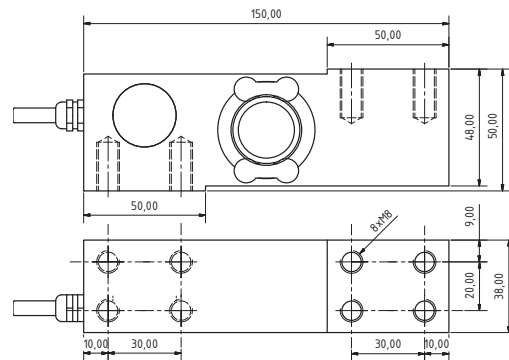


CE 3000d OIML Certificate No.R60/2000-ES1-03.04



SPECIFICATIONS

Nominal capacities (LN)	100-150-200-300-360-500 kg
Accuracy class	3000 n. OIML
Minimum dead load	0 %Ln
Service load	150 %Ln
Safe load limit	200 %Ln
Maximum combined error	< ± 0,017 %Sn
Repeatability error	< ± 0.015 %Sn
Temperature effect:	0.01 %Sn/5°C
On zero on sensitivity:	0.006 %Sn/5°C
Creep error	0.016 %Sn
Temperature compensation	-10..40 °C
Temperature limits	-20..50 °C
Nominal sensitivity	2 ± 0.1% mV/V (2)
Nominal input voltage	10 V
Maximum input voltage	18 V
Input impedance	386Ω ± 2%
Output impedance	350 ± 3Ω
No load output (SN)	< ± 2 %Sn
Insulation resistance	> 5000 MΩ
Maximum deflection	0.2-0.5 mm
Cable length	5 m



Reference	Nominal capacities - Ln (kg)	Accuracy class n. OIML	y = emax / vmin	#Code
TPP-4/100	100	C3	10000	710241
TPP-4/150	150	C3	10000	710242
TPP-4/200	200	C3	10000	710243
TPP-4/300	300	C3	10000	710244
TPP-4/360	360	C3	10000	710245
TPP-4/500	500	C3	10000	710246

