

- Tension beam load cell
- 3000 divisions OIML R60 class C
- Hermetically sealed
- Protected against corrosion by nickel plated treatment
- Measurement element from alloy steel
- Protected against humidity IP67 (EN60529)

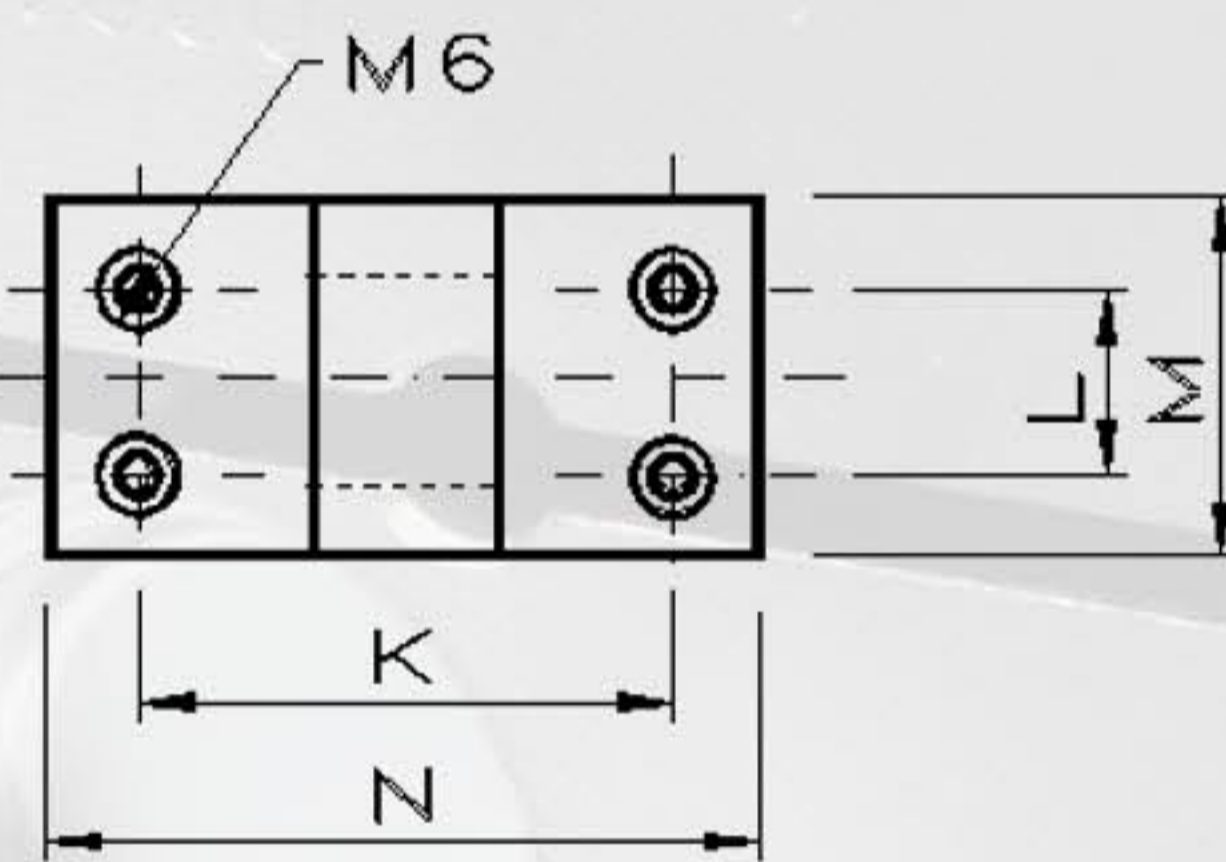
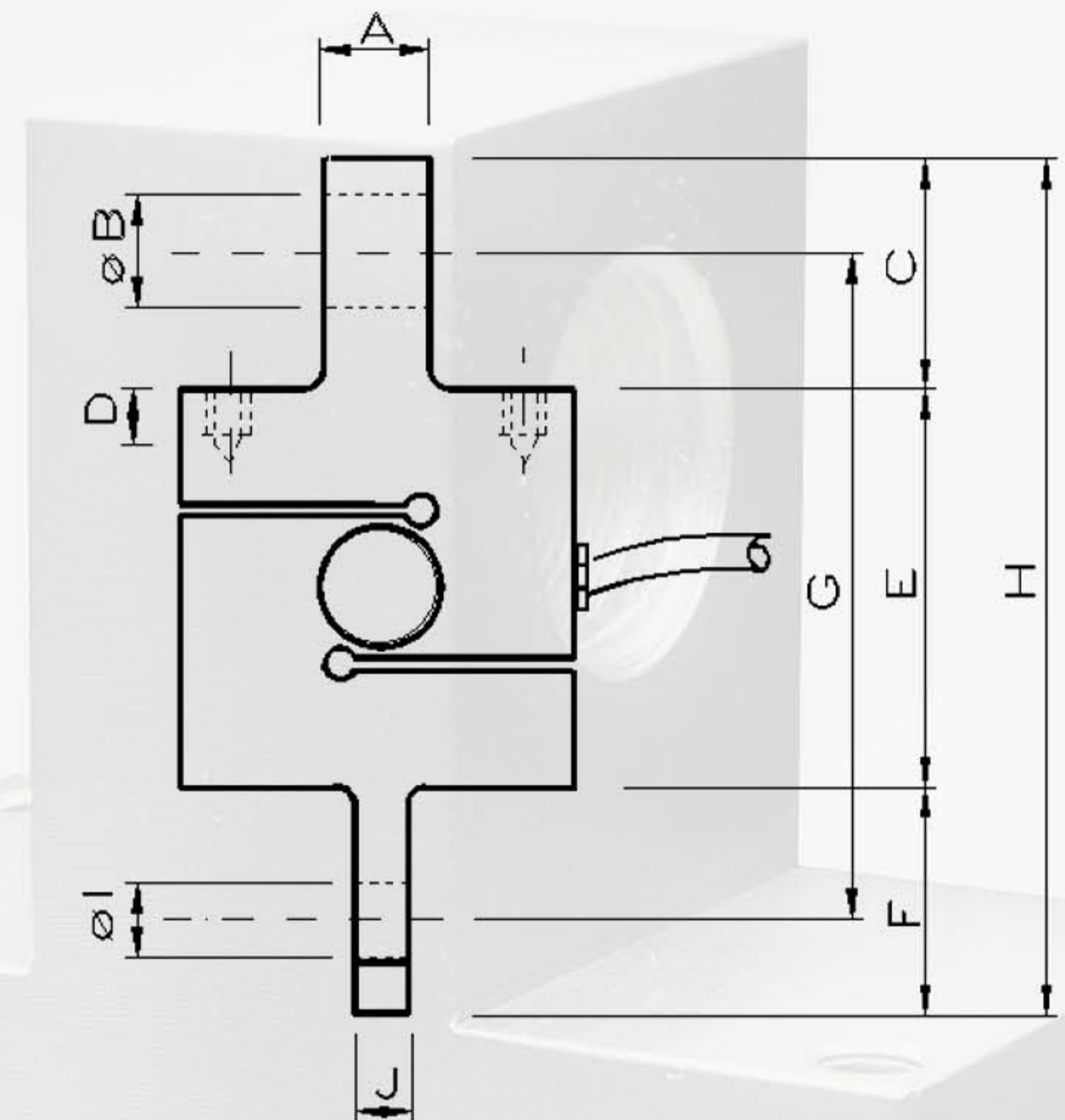
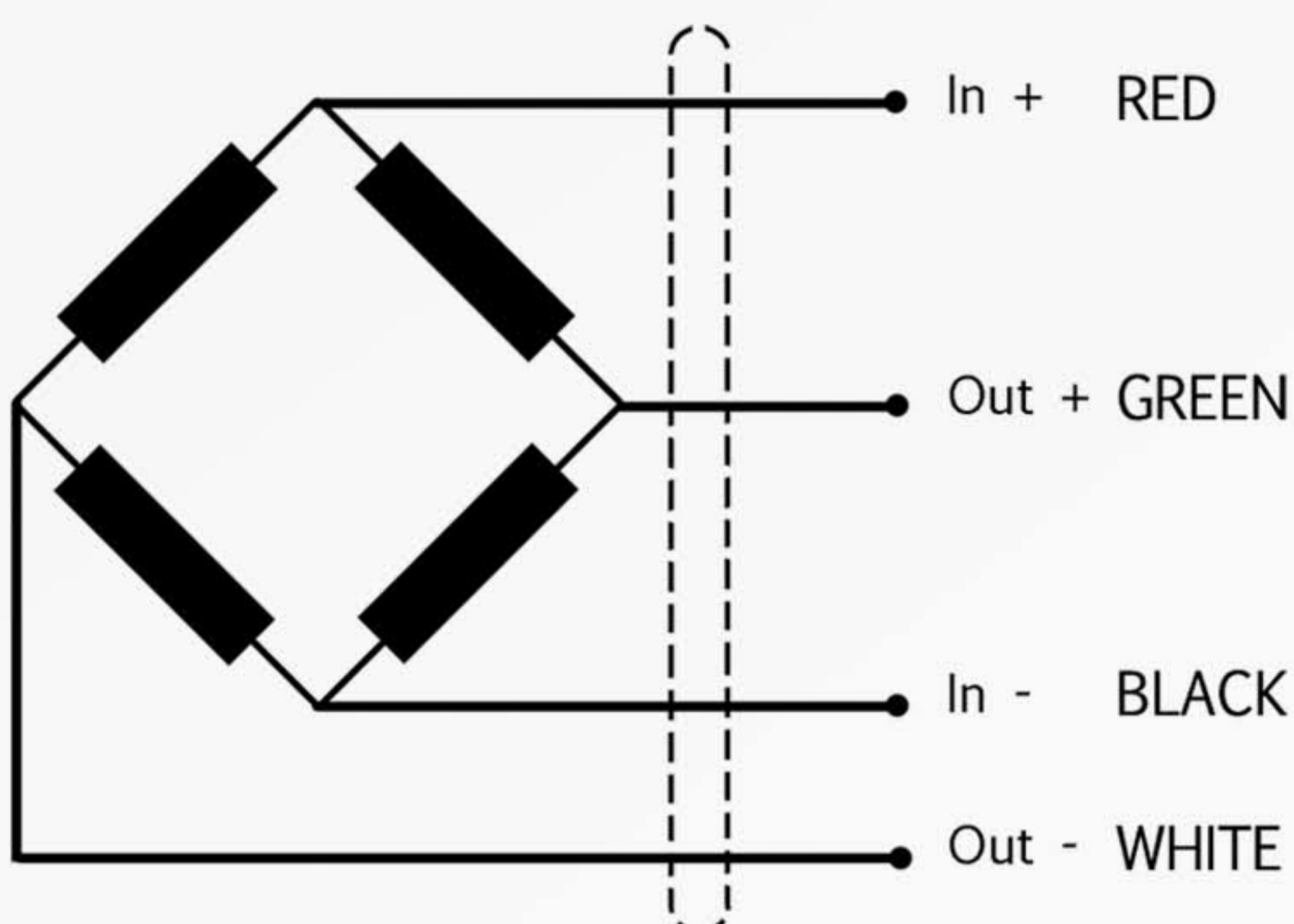
TSC-3

300-600-3000-6000 kg

Technical data

| | |
|-----------------------------|-------------------|
| Accuracy class | C3 |
| Nominal Sensitivity | 2mV/V ± 1% |
| Vmin | 8000 |
| Maximum combined error | 0.02% N.L |
| Range of excitation | 5..15V |
| Input resistance | 386 ± 5 Ω |
| Output resistance | 350 ± 5 Ω |
| Temperature limits OIML R60 | -10..40°C |
| Insulation resistance | >5000MΩ |
| Cable length | 4m |

Electrical connection



| C.N. (kg) | 300-600-3000 | 6000 |
|-----------|--------------|-------|
| A | 26 | 37 |
| B | 20 | 26 |
| C | 47 | 68 |
| D | 10 | 10 |
| E | 80 | 80 |
| F | 38 | 44 |
| G | 129.6 | 146.7 |
| H | 165 | 192 |
| I | 12.6 | 17 |
| J | 11 | 13 |
| K | 69 | 69 |
| L | 31 | 31 |
| M | 42 | 42 |
| N | 80 | 80 |