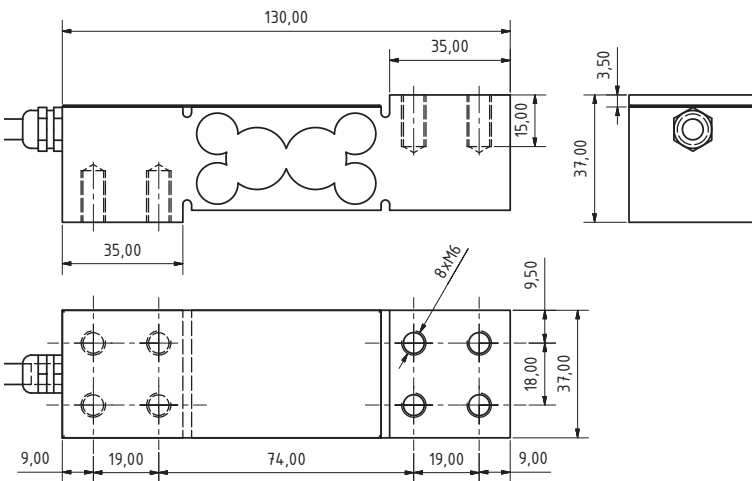




### SPECIFICATIONS

Nominal capacities (LN)	50-75-100-150-200 kg
Accuracy class	3000 n. OIML
Minimum dead load	0 %Ln
Service load	150 %Ln
Safe load limit	200 %Ln
Maximum combined error	0,017 %Sn
Repeatability error	0.015 %Sn
Temperature effect:	0.01 %Sn/5°C
On zero on sensitivity:	0.006 %Sn/5°C
Creep error	0.016 %Sn
Temperature compensation	-10..40 °C
Temperature limits	-20..50 °C
Nominal sensitivity	2±0.1% mV/V (2)
Nominal input voltage	10 V (2)
Maximum input voltage	15 V (2)
Input impedance	386Ω±2%
Output impedance	350±3Ω
No load output (SN)	2 %Sn
Insulation resistance	> 5000 MΩ
Maximum deflection	0.2-0.6
Cable length	5 m



Dimensions (mm)

# TPP-3

50 » 200kg CAPACITY

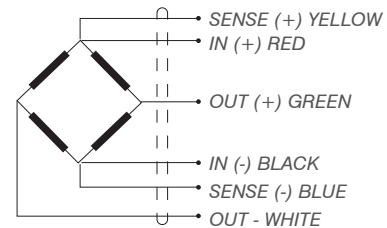
### SINGLE POINT

### APPLICATIONS

Bench platform up to 500x500 mm.  
Hopper weighing.

### FEATURES

Single point load cell.  
Bending beam load cell.  
Fully stainless steel construction.  
3000 divisions OIML R60 Class C.  
Direct platform mounting.  
High accuracy with off-center loads.  
Low profile.  
Protected against humidity IP67 (EN60529).



CE 3000d OIML Certificate No.R60/2000-ES-03.03

Reference	Nominal capacities - Ln (kg)	Accuracy class n. OIML	y = emax / vmin	#Code
TPP-3/50	50	C3	9433	710236
TPP-3/75	75	C3	9433	710237
TPP-3/100	100	C3	9433	710238
TPP-3/150	150	C3	9433	710239
TPP-3/200	200	C3	9433	710240

