

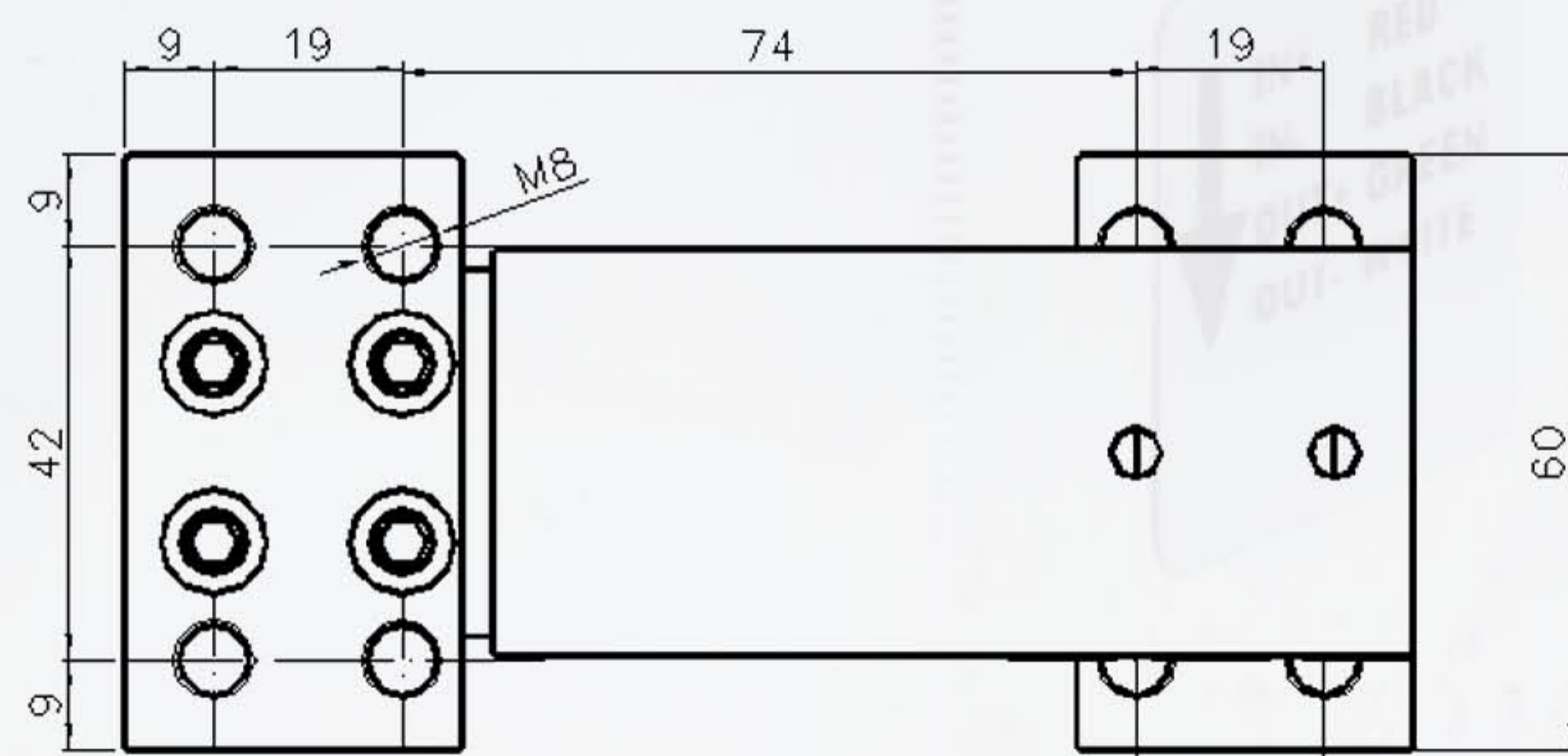
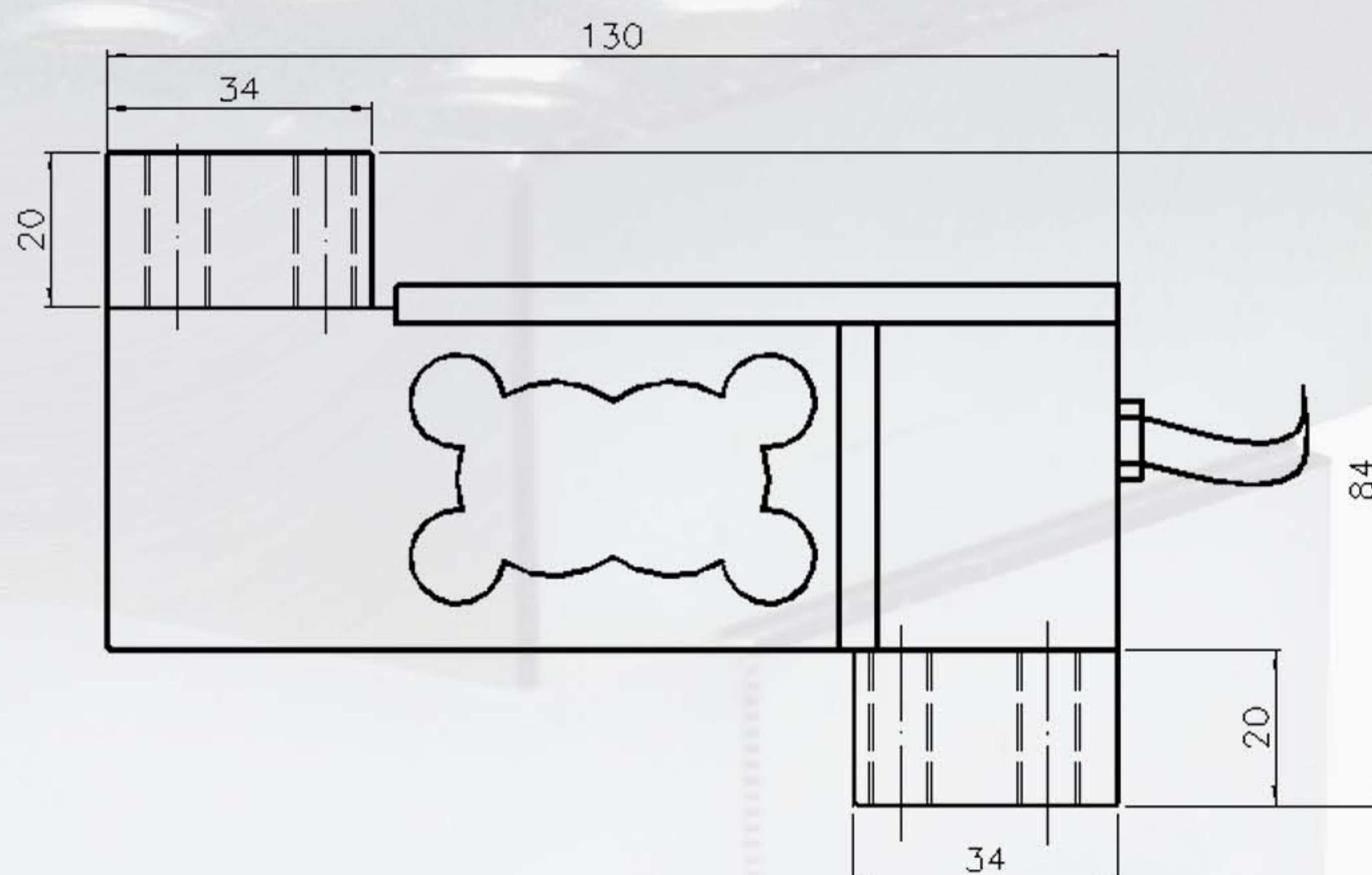
- Single point load cell
- Bending beam load cell
- 3000 divisions OIML R60 class C
- Direct platform mounting
- High accuracy with off-center loads
- Platforms up to 400x400mm
- Low profile
- Measurement element from aluminium
- Protected against humidity IP66 (EN60529)

TPF-2T

180 Kg

Technical data

Accuracy class	C3
Nominal Sensitivity	2mV/V ±1%
Vmin	8000
Maximum combined error	0.02% N.L
Range of excitation	5..15V
Input resistance	386 ±5 Ω
Output resistance	350 ±5 Ω
Temperature limits OIML R60	-10..40°C
Insulation resistance	>5000M Ω
Cable length	2m



Electrical connection

