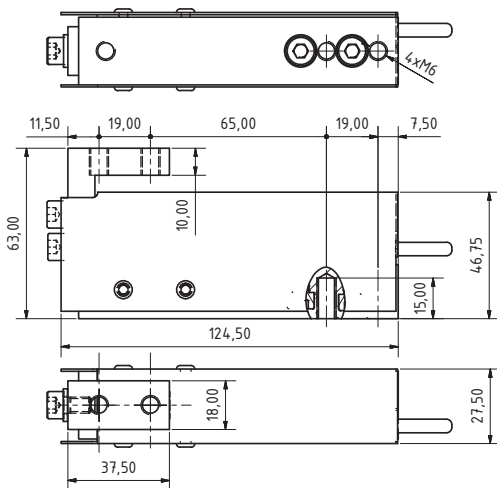




SPECIFICATIONS

Nominal capacities (LN)	2-3-5 kg
Accuracy class	3000 n. OIML
Minimum dead load	0 %Ln
Service load	150 %Ln
Safe load limit	200 %Ln
Maximum combined error	< ± 0,017 %Sn
Repeatability error	< ± 0.015 %Sn
Temperature effect:	< ± 0.01 %Sn/5°C
On zero on sensitivity:	< ± 0.006 %Sn/5°C
Creep error	< ± 0.016 %Sn
Temperature compensation	-10..40 °C
Temperature limits	-20..50 °C
Nominal sensitivity	2±0.1% mV/V (2)
Nominal input voltage	10 V
Maximum input voltage	15 V
Input impedance	400Ω±2%
Output impedance	350±3Ω
No load output (SN)	< ±2 %Sn
Insulation resistance	> 5000 MΩ
Maximum deflection	0.2-0.4 mm
Cable length	5 m



Dimensions (mm)

TPF-1D

2 » 5kg CAPACITY

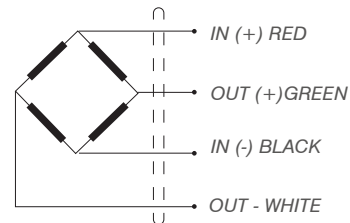
SINGLE POINT

APPLICATIONS

Bench platform up to 400x400 mm.

FEATURES

- Single point load cell.
- Bending beam load cell.
- Aluminum construction.
- 3000 divisions OIML R60 Class C.
- Direct platform mounting.
- High accuracy with off-center loads.
- Low profile.
- Protected against humidity IP66 (EN60529).



Reference	Nominal capacities - Ln (kg)	Accuracy class n. OIML	y = emax / vmin	#Code
TPF-1D/2	2	3000	7500	710226
TPF-1D/3	3	3000	7500	710227
TPF-1D/5	5	3000	7500	710228

