



TCC-5

3000 » 7500 kg

CAPACITY

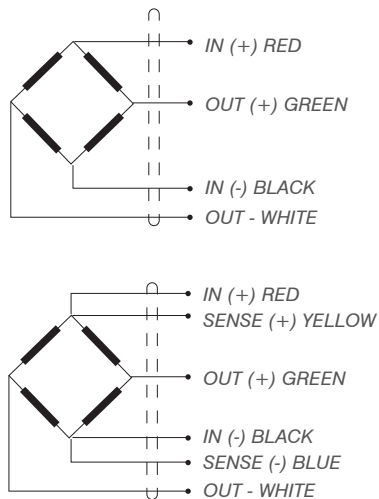
SHEAR BEAM LOAD CELL

APPLICATIONS

Platforms 4 load cells.
 Silos, Hopper weighing.

FEATURES

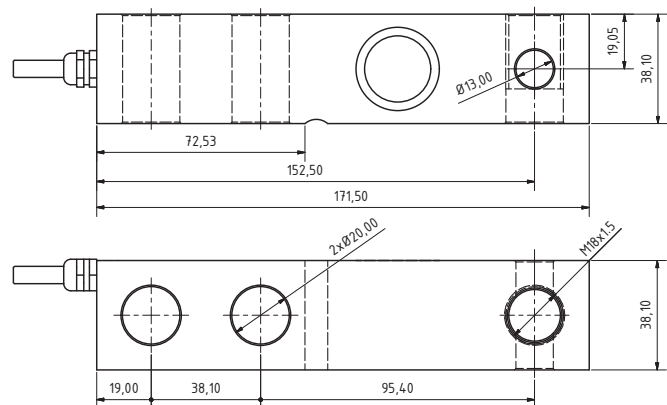
Shear beam load cell.
 3000 divisions OIML R60 Class C.
 Fully stainless steel construction.
 Hermetically sealed by laser welding.
 Protected against humidity IP68 (EN60529).



SPECIFICATIONS

Nominal capacities (Ln)	3000-5000-7500 kg
Accuracy class	C3 n. OIML
Minimum dead load	0 %Ln
Service load	125 %Ln
Safe load limit	150 %Ln
Maximum combined error	0,017% N.L
Repeatability error	< ±0.015 %Sn
Temperature effect:	< ±0.01 %Sn/5 °C
On zero on sensitivity	< ±0.006 %Sn/5 °C
Creep error (30 minutes)	< ±0.016 %Sn
Compensated temperature range	-10.. +40 °C
Temperature limits	-20...+70 °C
Input voltage range	5..12 V
Input impedance	383Ω±2% ó 1100Ω±2%
Output impedance	350±3Ω ó 1000±3Ω
Nominal sensitivity (Sn)	2 mV/V ±1%
Insulation resistance	> 5000 MΩ
Cable length	5 m

LOAD CELL TCC-5

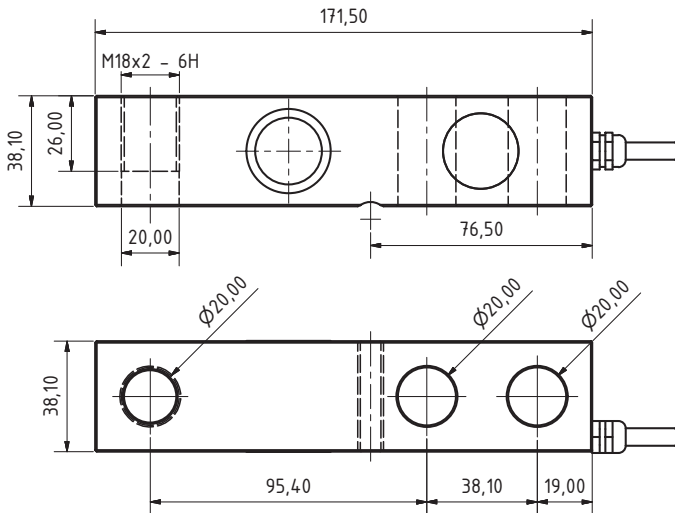


Dimensions (mm)

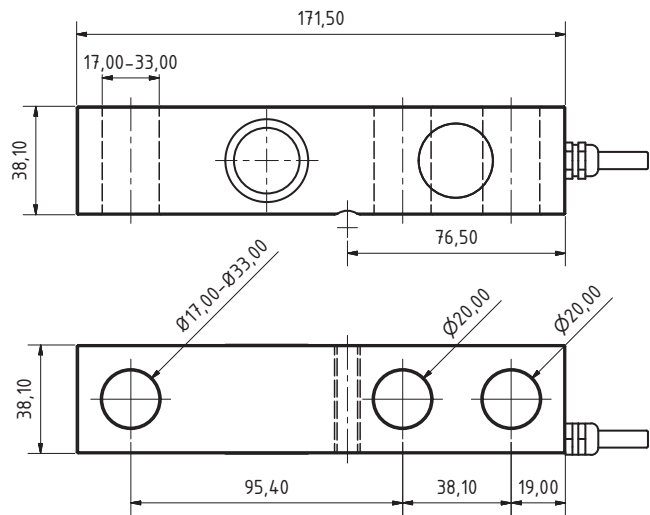
CE 3000d OIML Certificate N° E-18.02.C04



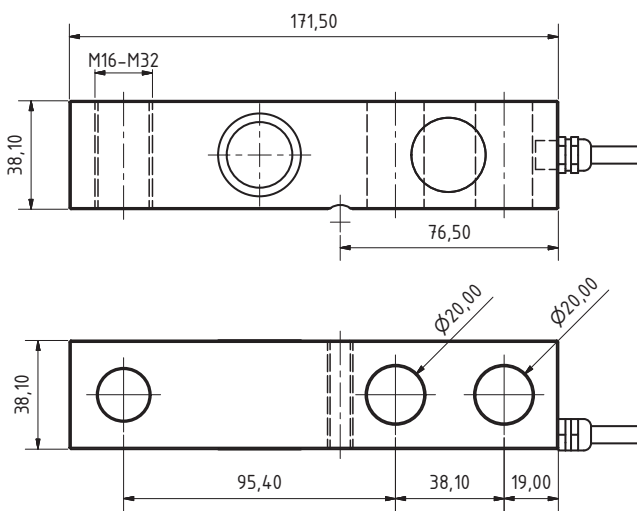
LOAD CELL TCC-5a



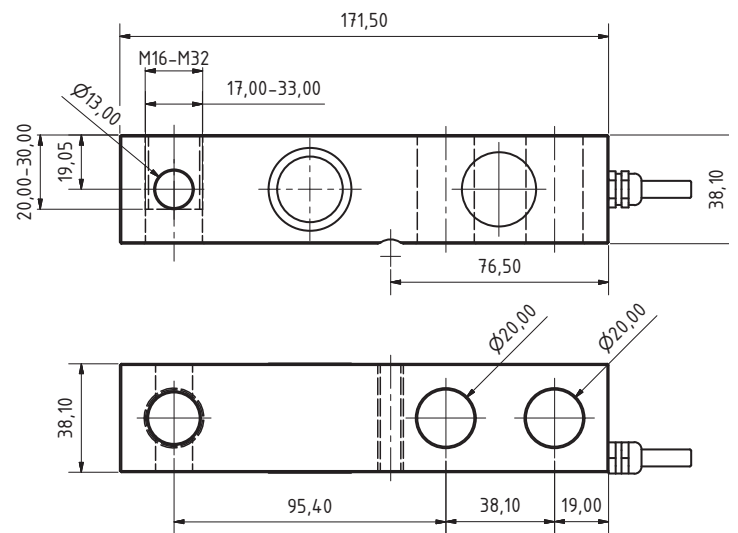
LOAD CELL TCC-5b



LOAD CELL TCC-5c



LOAD CELL TCC-5d

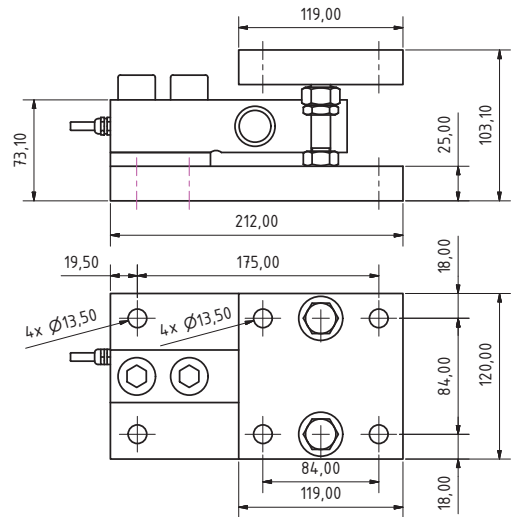


Reference	Nominal capacities Ln (kg)	Accuracy class n. OIML	y = e _{max} / v _{min}	#Code TCC-5	#Code TCC-5a	#Code TCC-5b	#Code TCC-5c	#Code TCC-5d
TCC-5/3000	3000	C3	10000	710191	710187	710188	710189	710190
TCC-5/5000	5000	C3	10000	710196	710192	710193	710194	710195
TCC-5/7500	7500	C3	10000	710201	710197	710198	710199	710200



TCC-5

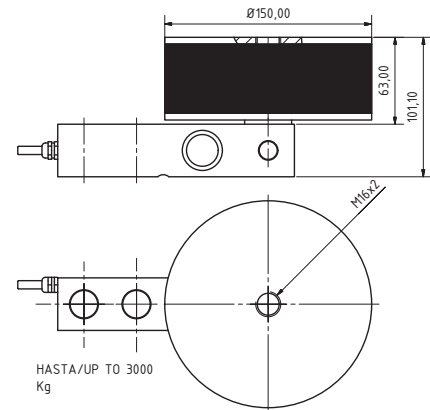
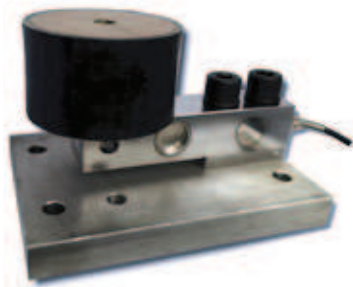
ACCESSORIES



Dimensions en (mm)

SILOS ACCESSORY LIFT OFF PROTECTION

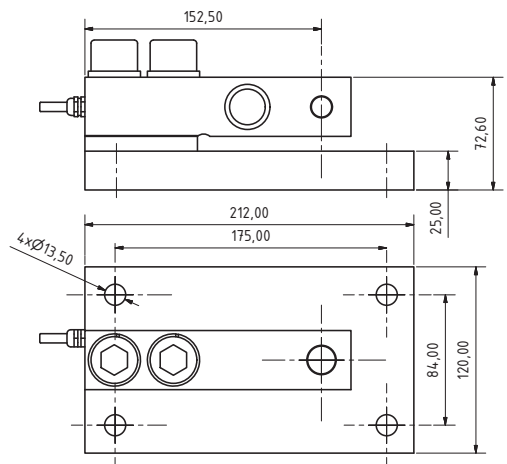
Ref.	Description	#Code
AVTCC-5	Mounting kit for silos. Lift off protection. Zinc Plated Steel	510056
AVTCC-5i	Mounting kit for silos. Lift off protection Stainless steel	510038



Dimensions en (mm)

SILENT-BLOCK

Ref.	Description	#Code
STCC-5	Silent block zinc plated steel	510068



Dimensions (mm)

BASE PLATE

Ref.	Description	#Code
BTCC-5	Base plate. Zinc plated steel	510069
BTCC-5i	Base plate. Stainless steel	510095