



CP-3

5000kg » 50t

CAPACITY

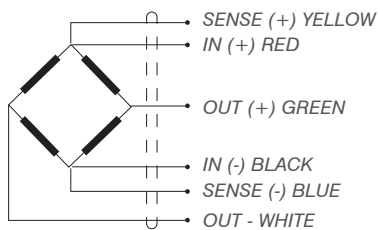
COMPRESSION LOAD CELL

APPLICATIONS

Weighbridges, Tanks, Silos y Low profile.

FEATURES

Compression load cell.
 Doble shear beam load cell.
 3000 divisions OIML R60 Class C.
 Hermetically sealed by laser welding.
 Fully stainless steel construction.
 Protected against atmospheric discharges with surge arresters.
 Protected against humidity IP68 (EN60529).

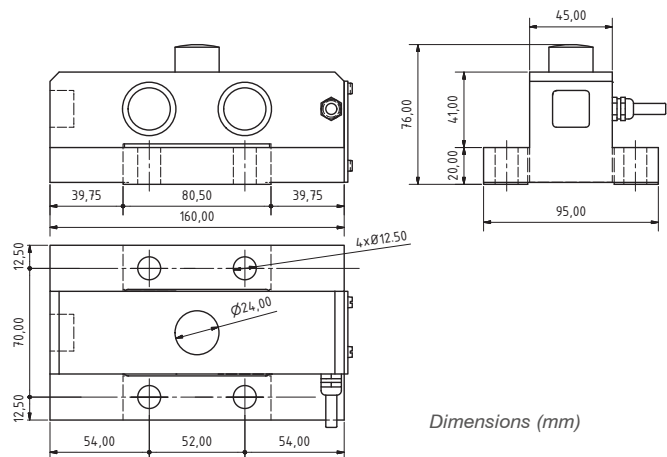


CE 3000d OIML Certificate No.R60/1991-ES-98.01



SPECIFICATIONS

Nominal capacities (LN)	5000-10000-15000-20000-25000-30000-35000-50000 kg
Accuracy class	3000 n. OIML
Minimum dead load	0 %Ln
Service load	150 %Ln
Safe load limit	200 %Ln
Maximum combined error	< ±0.017 %Sn
Repeatability error	< ±0.015 %Sn
Temperature effect: On zero on sensitivity	< ±0.01 %Sn/5°C < ±0.006 %Sn/5°C
Creep error	< ±0.016 %Sn
Temperature compensation	-10..40 °C
Temperature limits	-20..50 °C
Nominal sensitivity	2±0.1% mV/V (2)
Nominal input voltage	10 V
Maximum input voltage	15 V
Input impedance	766Ω±2%
Output impedance	700±3Ω
No load output (SN)	< ±2 %Sn
Insulation resistance	> 5000 MΩ
Maximum deflection	0.2-0.4 mm
Cable length	5 m

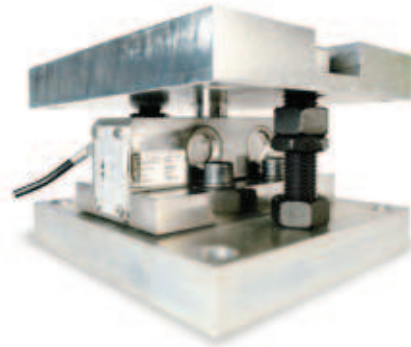
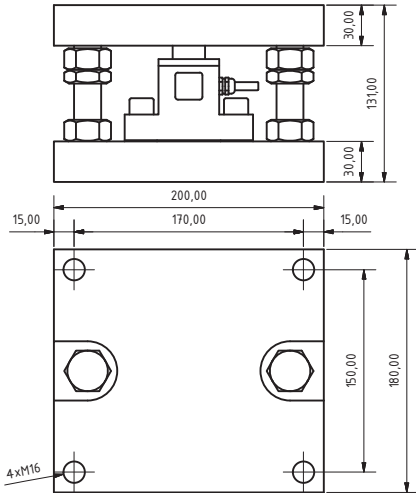


REF. Load cells		Nominal capacities - Ln (t)	Accuracy class n. OIML	y = emax / vmin	#Code
CP-3/5000	M	5	C3	8571	710032
CP-3/10000	M	10	C3	8571	710033
CP-3/15000	M	15	C3	8571	710034
CP-3/20000		20	C3	8571	710035
CP-3/25000		25	C3	8571	710036
CP-3/30000		30	C3	8571	710037
CP-3/35000	M	35	C3	8571	710038
CP-3/50000	M	50	C3	8571	710039





CP-3 ACCESSORIES



SILO MOUNT ACCESSORY

Ref.	Description	#Code
AVCP-3	Mounting kit for silos. Lift off protection CP-3 Zinc plated steel	510076
AVCP-3i	Mounting kit for silos. Lift off protection CP-3 Stainless steel	510098

