



TCC-3

2000 » 5000kg

CAPACITY

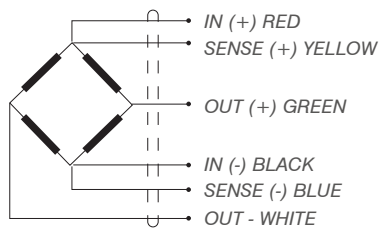
SHEAR BEAM LOAD CELL

APPLICATIONS

Platforms 4 load cells.
 Silos, Hopper weighing y Tanks.

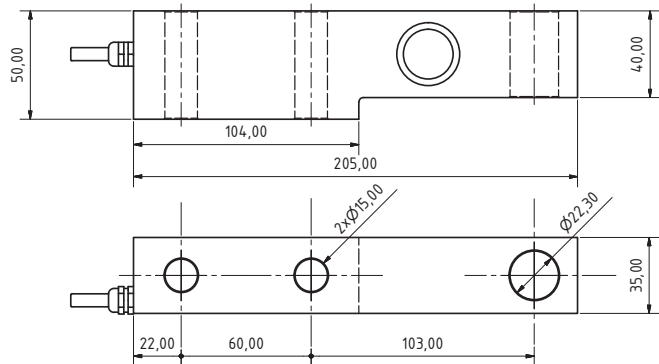
FEATURES

Shear beam load cell.
 3000 divisions OIML R60 Class C.
 Hermetically sealed by laser welding.
 Stainless steel construction.
 Protected against humidity IP68 (EN60529).



SPECIFICATIONS

Nominal capacities	2000-3000-5000 kg
Accuracy class	3000
Input impedance	386Ω±2%
Output impedance	350±3Ω
Input voltage range	5..12 V
Nominal sensitivity	2mV/V
Operating temperature range	-10 a +50°C
Service load	150% (N.L.)
Safe load limit	> 200 % (N.L.)
Sensitivity tolerance	+/- 0.1% (N.L.)
Temperature effect on sensitivity	(-10...+40°C): < +/-0.001%/°C
Temperature effect on zero	(-10...+50°C): < +/-0.002%/°C
Maximum combined error	< +/- 0.02 (N.L.)
Creep en	30' a 20°C: +/- 0.02%
Cable length	9 m
Electrical connection	a 6 wires (sense)

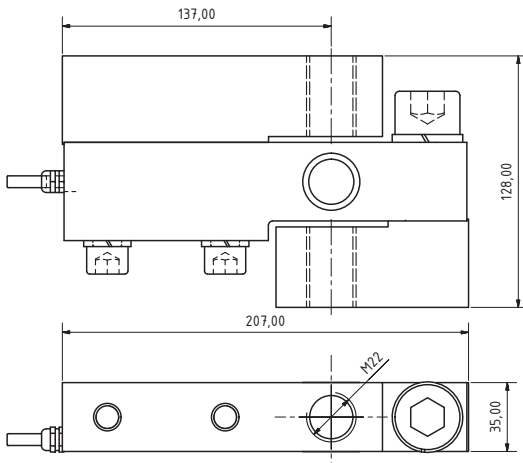


Dimensions (mm)

Reference	Nominal capacities - Ln (kg)	Accuracy class n. OIML	y = emax / vmin	#Code
TCC-3/2000	2000	3000	7500	710149
TCC-3/3000	3000	3000	7500	710150
TCC-3/5000	5000	3000	7500	710151

TCC-3

ACCESSORIES

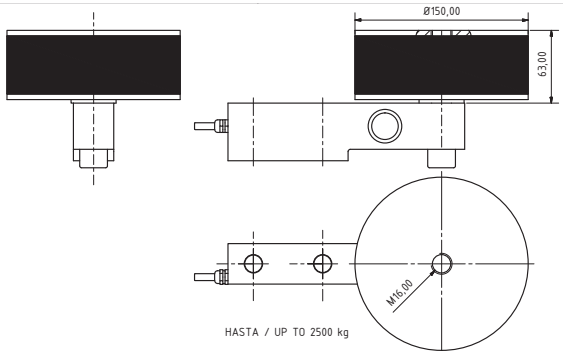


Dimensions en (mm)



TENSION ACCESSORY

Ref.	Description	#Code
PTCC-3	Tension accessory M22	510059



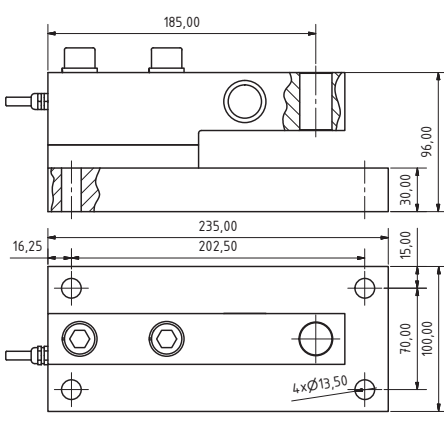
Dimensions en (mm)



SILENT-BLOCK

Accessory	C.N. (kg)	A	B	C	D	E
STCC-3	2000-3000	M16	150	61	111	185

Ref.	Description	#Code
STCC-3	Silent-block M16	510043



Dimensions en (mm)



BASE PLATE

Ref.	Description	#Code
BTCC-3	Base plate	510066

