

CP-11

2500 » 30000kg

CAPACITY

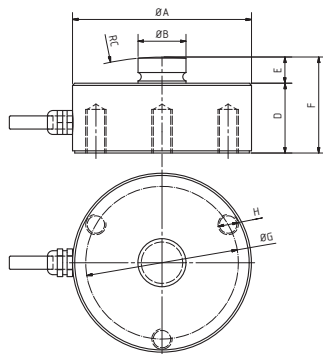
COMPRESSION LOAD CELL

APPLICATIONS

Silos. Tanks, others

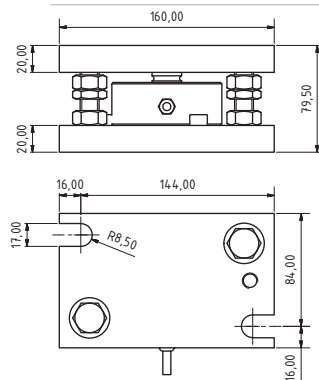
FEATURES

Compression load cell
 3000 divisions OIML R60 Class C.
 Stainless steel construction
 Hermetically sealed by laser welding
 Protected against humidity IP68 (EN 60529).



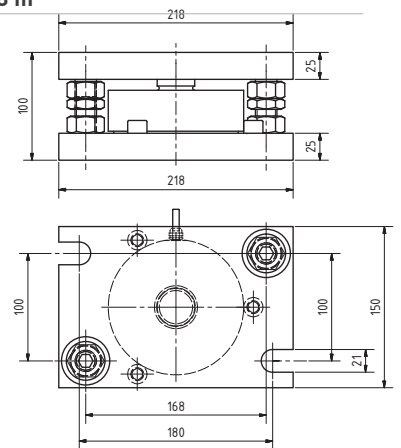
Dimensions (mm)

C.N. (t)	A	B	C	D	E	F	G	H
2.5 a 12.5	82	22	130	32	12	44	70	M8
20 a 30	126	35	200	40	14	54		



Dimensions (mm)

MOUNTING KIT FOR SILOS. LIFT OFF PROTECTION CP-11
 de 2500 kg a 12.500 kg



Dimensions (mm)

MOUNTING KIT FOR SILOS. LIFT OFF PROTECTION CP-11
 de 15.000 kg a 30.000 kg

SPECIFICATIONS

	2500-3000-5000-7500-10000-12500-20000-25000-30000 kg
Nominal capacities (Ln)	20000-25000-30000 kg
Accuracy class	1000/3000 n. OIML
Minimum dead load	0 %Ln
Service load	150 %Ln
Safe load limit	200 %Ln
Error combinado	< ±0.017 %Sn (1)
Repeatability error	< ±0.015 %Sn
Temperature effect: On zero on sensitivity	< ±0.01 %Sn/5°k < ±0.006 %Sn/5°k
Creep error (30 minutes)	< ±0.016 %Sn
Temperature compensation	-10... 40 °C
Temperature limits	-20... 50 °C
Nominal sensitivity (Sn)	2 ± 0.1% mV/V (2)
Nominal input voltage	10
Maximum input voltage	15
Input impedance	766Ω±2%
Output impedance	700±3%Ω
No load output	< ±2
Insulation resistance	> 5000
Maximum deflection	0.2-0.4
Cable length	8 m

REF. Load cells	Nominal capacities - Ln (kg)	Accuracy class n. OIML	y = emax / vmin	#Code
CP-11/2500	2500	3000	7500	710005
CP-11/3000	3000	3000	7500	710006
CP-11/5000	5000	3000	7500	710007
CP-11/7500	7500	3000	7500	710008
CP-11/10000	10000	3000	7500	710009
CP-11/12500	12500	3000	7500	710010
CP-11/20000	20000	1000	7500	710011
CP-11/25000	25000	1000	7500	710012
CP-11/30000	30000	1000	7500	710013

Ref.	Description	#Code
AVCP-11	Mounting kit for silos. Lift off protection CP-11 de 2500 kg up to 12.500 kg	510026
AVCP-11	Mounting kit for silos. Lift off protection CP-11 de 15.000 kg up to 30.000 kg	510077