

CP-1

3000 » 15000kg

CAPACITY

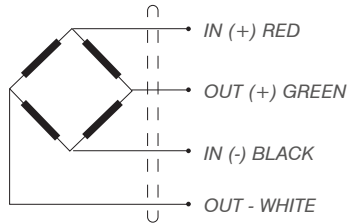
COMPRESSION LOAD CELL

APPLICATIONS

Tanks, silos and vehicles.
 Low profile.

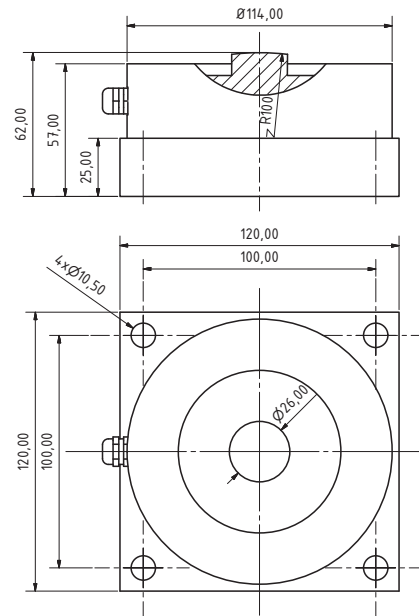
FEATURES

Compression load cell.
 3000 divisions OIML R60 Class C.
 Hermetically sealed.
 Fully stainless steel construction.
 Protected against humidity IP68 (EN60529).



SPECIFICATIONS

Nominal capacities	3000 - 5000 - 10000 - 15000 Kg
Accuracy class	3000
Input impedance	766Ω±2%
Output impedance	700±3Ω
Input voltage range	5..12 V
Nominal sensitivity	2mV/V
Operating temperature range	-10 a +50°C
Sensitivity tolerance	+/- 0.1% (N.L.)
Temperature effect on sensitivity	(-10...+40°C): < +/-0.001%/°C
Service load	150% (N.L.)
Temperature effect on zero	(-10...+50°C): < +/-0.002%/°C
Safe load limit	> 200 % (N.L.)
Maximum combined error	< +/- 0.02 (N.L.)
Cable length	5 m
Creep en	30' a 20°C: +/- 0.02%



Dimensions (mm)

Reference	Nominal capacities - Ln (kg)	Accuracy class n. OIML	y = emax / vmin	#Code
CP-1i/3000	3000	3000	6000	710001
CP-1i/5000	5000	3000	6000	710002
CP-1i/10000	10000	3000	6000	710003
CP-1i/15000	15000	3000	6000	710004

