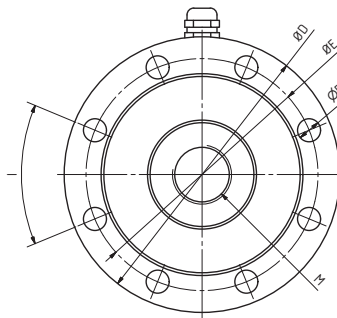
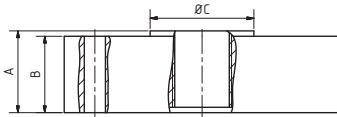




SPECIFICATIONS

Nominal capacities	500-1000-2000-2500-5000-7500-10000-12000-20000-25000-30000 kg
Accuracy class	1000/2000
Input impedance	766Ω±2%
Output impedance	700±3Ω
Input voltage range	5..12 V
Nominal sensitivity	2mV/V
Operating temperature range	-10 a +50°C
Service load	150% (N.L.)
Safe load limit	> 200 % (N.L.)
Sensitivity tolerance	+/- 0.1% (N.L.)
Temperature effect on sensitivity (-10...+40°C)	< +/-0.001%/°C
Temperature effect on zero (-10...+50°C)	< +/-0.002%/°C
Maximum combined error	< +/- 0.02 (N.L.)
Creep in 30' at 20°C	+/- 0.02%
Cable length	5 m
Electrical connection	4 wires



Dimensions (mm)

C.N. (t)	A	B	D	E	I	M	P
0,5-7,5 t	30	28	101	85	45°C	M20 x 1,5	8 holes 8,5
10-30 t	40	39	150	125	30°C	M30 x 1,5	12 holes 10,5

CP-2

500 » 30000kg
CAPACITY

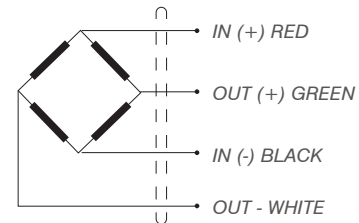
COMPRESSION LOAD CELL

APPLICATIONS

Test benches.
Verification presses.

FEATURES

Compression load cell.
Hermetically sealed.
Fully stainless steel construction.
Protected against humidity IP68 (EN60529).



Reference	Nominal capacities - Ln (kg)	Accuracy class n. OIML	y = emax / vmin	#Code
CP-2/500	500	C1 / C2	7500	710021
CP-2/1000	1000	C1 / C2	7500	710022
CP-2/2000	2000	C1 / C2	7500	710023
CP-2/2500	2500	C1 / C2	7500	710025
CP-2/5000	5000	C1 / C2	7500	710026
CP-2/7500	7500	C1 / C2	7500	710027
CP-2/10000	10000	C1 / C2	7500	710028
CP-2/12000	12000	C1 / C2	7500	710029
CP-2/20000	20000	C1 / C2	7500	710024
CP-2/25000	25000	C1 / C2	7500	710030
CP-2/30000	30000	C1 / C2	7500	710031

