



CP-8

18 t » 50 t

CAPACITY

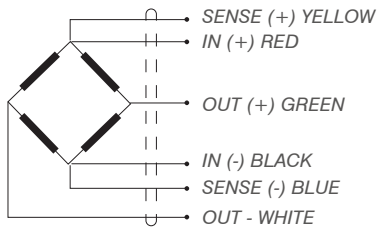
COMPRESSION LOAD CELL

APPLICATIONS

High capacity weighbridges.

FEATURES

- Compression load cell.
- Self-centering load cell.
- Fully stainless steel construction.
- 4000 divisions OIML R60 Class C.
- Hermetically sealed by laser welding.
- Protected against atmospheric discharges with surge arresters.
- Protected against humidity IP68 (EN60529).

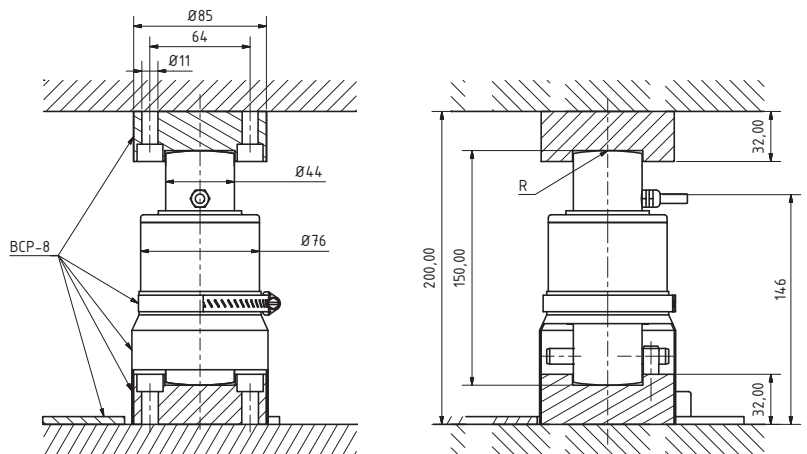


CE Test Certificate No.E-08.02.C07



SPECIFICATIONS

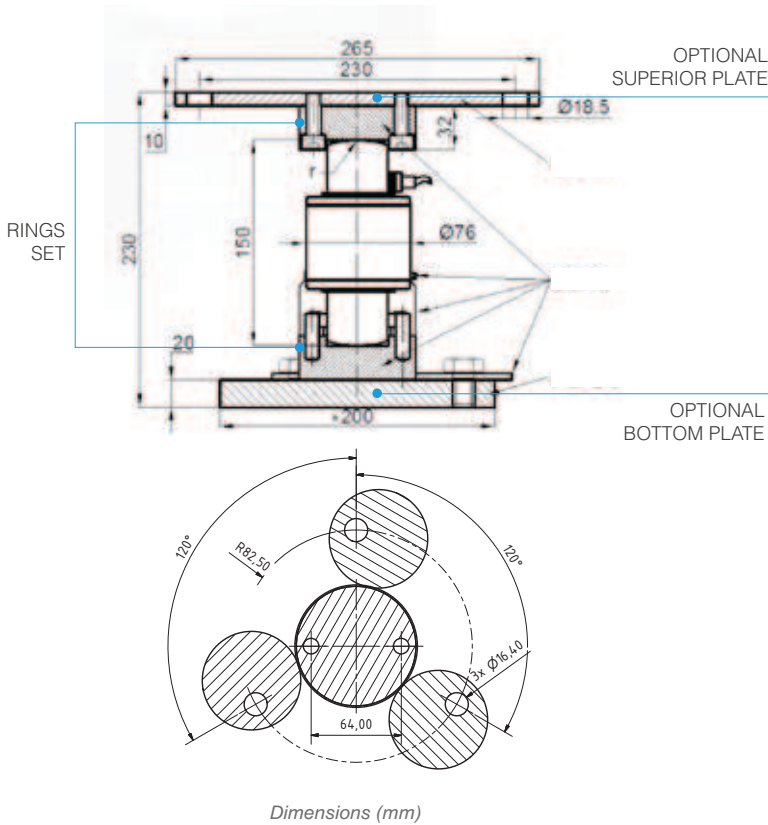
Nominal capacities (Ln)	18-20-25-30-35-40-50 t
Accuracy class	C4 n. OIML
Minimum dead load	0 kg
Service load	120 %Ln
Safe load limit	150 %Ln
Error combinado	<±0.017 %Sn
Repeatability error	<±0.015 %Sn
Creep error (30 minutes)	<±0.016 %Sn
Temperature limits	-30 - +70 °C
Nominal sensitivity (Sn)	2 mV/V ±1%
Nominal input voltage	10 V
Maximum input voltage	15 V
Input impedance	800Ω±2%
Output impedance	700±3Ω
No load output	±2 %Sn
Insulation resistance	> 5000 MΩ
Maximum deflection (at Ln)	0.6 - 1 mm
Cable length	18 m



Dimensions (mm)

Reference	Nominal capacities - Ln (kg)	Accuracy class n. OIML	y = emax / vmin	#Code	WITH ARMoured CABLE	
					Reference	#Code
CP-8/18000	18000	C4	15000	710040	consult	-
CP-8/20000	20000	C4	15000	710042	consult	-
CP-8/25000	25000	C4	15000	710044	consult	-
CP-8/30000	30000	C4	15000	710046	consult	-
CP-8/35000	35000	C4	15000	710048	consult	-
CP-8/40000	40000	C4	15000	710050	consult	-
CP-8/50000	50000	C4	15000	710052	consult	-





CP-8 ACCESSORIES

MOUNTING KIT CP-8

Ref.	Description	#Code
	Mounting kit of rings accessory (not included optional plates)	

SUPERIOR PLATE CP-8

Ref.	Description	#Code
	Superior plate to anchor the rings accessory to an structure (for one load cell)	

BOTTOM PLATE CP-8

Ref.	Description	#Code
	Bottom plate to anchor the rings accessory to an structure (for one load cell)	

RINGS SET CP-8 AND BCP-8

Ref.	Description	#Code
BCP-8n	Rings set CP-8 Nickel plated treatment	
BCP-8	Rings set CP-8 stainless steel	

