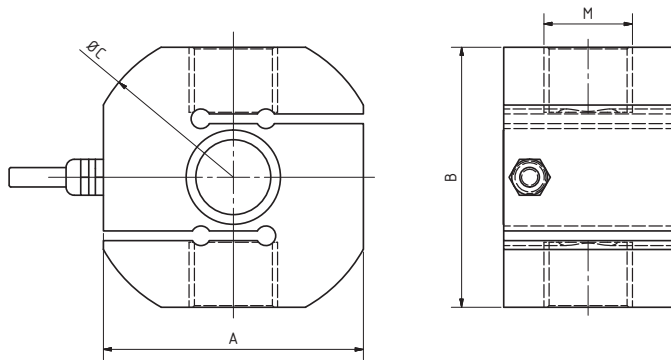




SPECIFICATIONS

Nominal capacities (Ln)	750-1000-1500-2000-2500-3000-5000 kg
Accuracy class	3000 n. OIML
Minimum dead load	0 %Ln
Service load	150 %Ln
Safe load limit	200 %Ln
Error combinado	< ±0.017 %Sn
Repeatability error	< ±0.015 %Sn
Temperature effect:	< ±0.01 %Sn/5°C
On zero on sensitivity	< ±0.006 %Sn/5°C
Creep error (30 minutes)	< ±0.016 %Sn
Temperature compensation	-10..40 °C
Temperature limits	-20..50 °C
Nominal sensitivity (Sn)	2±0.1% mV/V (2)
Nominal input voltage	10 V
Maximum input voltage	15 V
Input impedance	386Ω±2%
Output impedance	350±3Ω
No load output	< ±2 %Sn
Insulation resistance	> 5000 MΩ
Maximum deflection	0.2-0.4 mm
Cable length	5 m



Dimensions (mm)

C.N. (kg)	A	B	C	D	M
750...1500	80	80	91,5	25	M16
2000...5000	94	94	105	42	M22

CTC-2

250 » 5000kg
CAPACITY

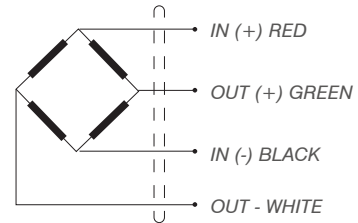
TENSION LOAD CELL

APPLICATIONS

Cranes, Crane Scales, Silos.
Hopper weighing. Overload protection.

FEATURES

Tension load cell.
3000 divisions OIML R60 Class C.
Hermetically sealed by laser welding.
Fully stainless steel construction.
Protected against humidity IP68 (EN60529).



Reference	Capacity nominal - Ln (Kg)	Accuracy class n. OIML	y = emax / vmin	# Code
CTC-2i/750	750	C3	7500	710059
CTC-2i/1000	1000	C3	7500	710060
CTC-2i/1500	1500	C3	7500	710061
CTC-2i/2000	2000	C3	7500	710062
CTC-2i/2500	2500	C3	7500	710063
CTC-2i/3000	3000	C3	7500	710064
CTC-2i/5000	5000	C3	7500	710065

Ref. Accessories	Description	#Code
RTSCM	Rod end bearing	página 58

