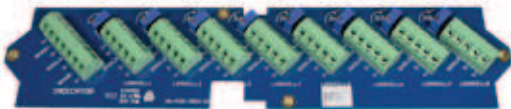


**JUNCTION BOX** Number of load cells  $\leq 4$  -  $\leq 8$

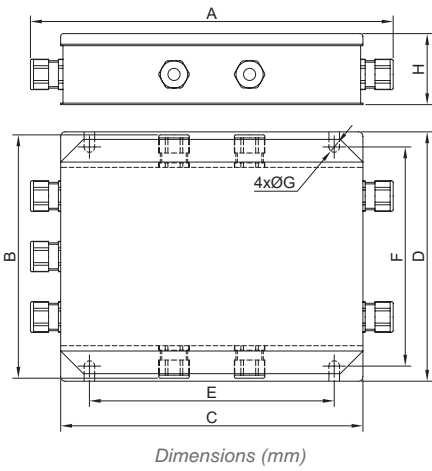
Reference	Description	#Code
GBOX8	Hermetical junction box ABS (8 load cells)	610001



**BOARD AND COMPONENTS WITHOUT BOX** Number of load cells 8

Reference	Description	#Code
-	Junction circuit board up to 8 load cells	510033





Dimensions (mm)



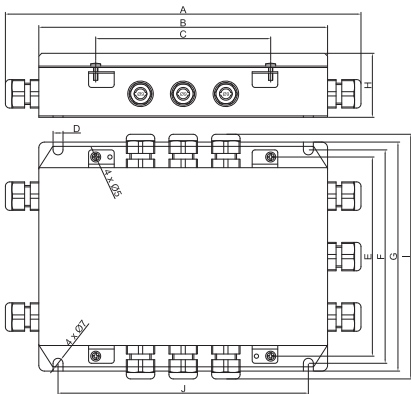
REFERENCE	A	B	C	D	E	ØF	H	MATERIAL
610005	240	165	200	170	162	155	7	stainless steel
610006	175	- - -	132	110	168	35	7	stainless steel

**JUNCTION BOX Number of load cells ≤ 4 - ≤ 8**

Reference	Description	#Code
-	Junction box in stainless steel up to 8 load cells	610005
-	Junction box in stainless steel up to 4 load cells	610006

**BOARD AND COMPONENTS WITHOUT BOX**

Reference	Description	#Code
-	Junction circuit board up to 8 load cells	510094
-	Junction circuit board up to 4 load cells	510095



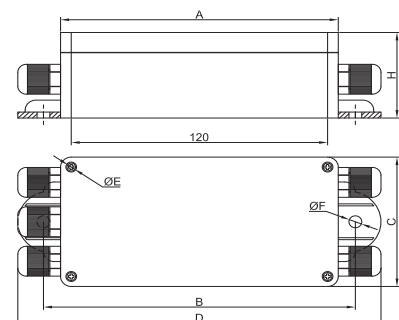
Dimensions (mm)



Reference	A	B	C	D	E	F	G	I	J	H	MATERIAL
	250	200	120	7	140	150	160	170	170	45	stainless steel

**JUNCTION BOX Number of load cells 10**

Reference	Description	#Code
-	Junction box in stainless steel. Up to 10 load cells	610007



Dimensions (mm)

REFERENCE	A	B	C	D	E	ØF	H	MATERIAL
610008	130	146	65	170	3	6,5	43	Plastic



**JUNCTION BOX Number of load cells 4**

Reference	Description	#Code
-	Junction box reduced dimensions in plastic up to 4 load cells. Protection IP66	610008

