



TCC-1

15 » 1500kg CAPACITY

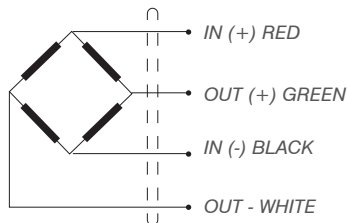
BENDING BEAM / SHEAR BEAM

APPLICATIONS

Platforms 4 load cells.
 Silos, Hopper weighing y Tanks.

FEATURES

Bending beam load cell/shear beam.
 3000 divisions OIML R60 Class C.
 Hermetically sealed by laser welding.
 Stainless steel construction.
 Protected against humidity IP67
 (de 15 a 150kg).
 Protected against humidity IP68
 (de 250 a 300 kg).

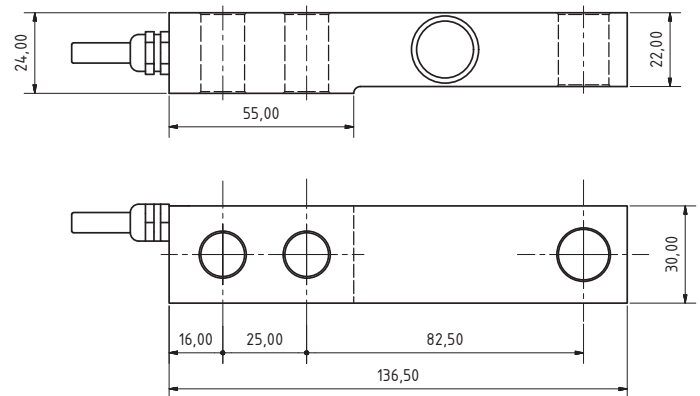


 3000d OIML Certificate No.R60/1991-ES1-99.01



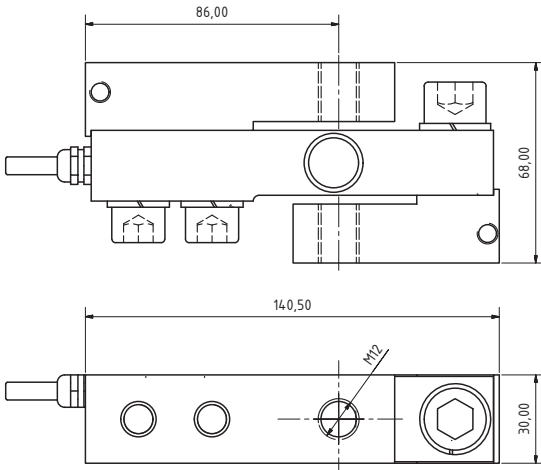
SPECIFICATIONS

Nominal capacities	15-30-50-75-100-150-250-300 500-750-1000-1500kg
Accuracy class	3000
Input impedance	386Ω±2%
Output impedance	350±3Ω
Nominal sensitivity	2mV/V
Input voltage range	5..12 V
Sensitivity tolerance	+/- 0.1% (N.L.)
Operating temperature range	-10 a +50°C
Temperature effect on sensitivity	(-10...+40°C): < +/-0.001%/°C
Service load	150% (N.L.)
Temperature effect on zero	(-10...+50°C): < +/-0.002%/°C
Safe load limit	> 200 % (N.L.)
Maximum combined error	< +/- 0.02 (N.L.)
Creep in 30' at 20°C	+/- 0.02%
Cable length	4 m
Electrical connection	de 4 a 6 wires

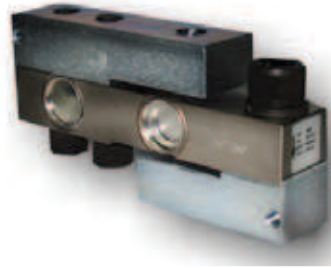


Dimensions (mm)

Reference	Nominal capacities - Ln (kg)	Accuracy class n. OIML	y = emax / vmin	#Code
TCC-1/15	M 15	3000	8500	710137
TCC-1/30	M 30	3000	8500	710138
TCC-1/50	M 50	3000	8500	710139
TCC-1/75	M 75	3000	8500	710140
TCC-1/100	M 100	3000	8500	710141
TCC-1/150	M 150	3000	8500	710142
TCC-1/250	M 250	3000	8500	710143
TCC-1/300	300	3000	8500	710144
TCC-1/500	500	3000	8500	710145
TCC-1/750	750	3000	8500	710146
TCC-1/1000	1000	3000	8500	710147
TCC-1/1500	1500	3000	8500	710148



Dimensions en (mm)

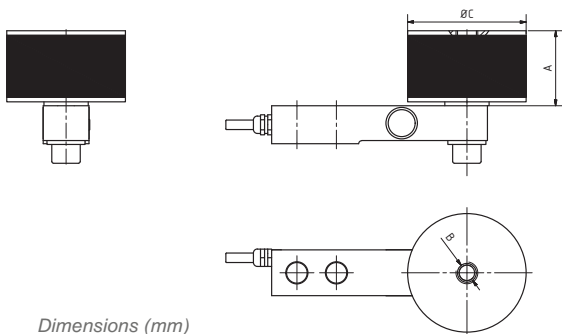


TCC-1

ACCESSORIES

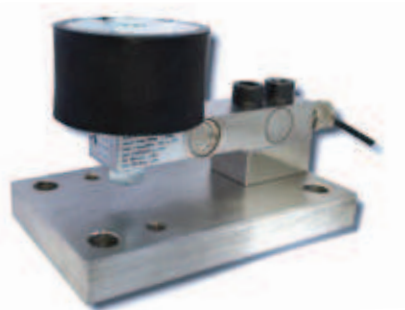
TENSION ACCESSORY

Ref.	Description	#Code
PTCC-1	Tension accessory NL from 30 to 1500 kg. M12	510058



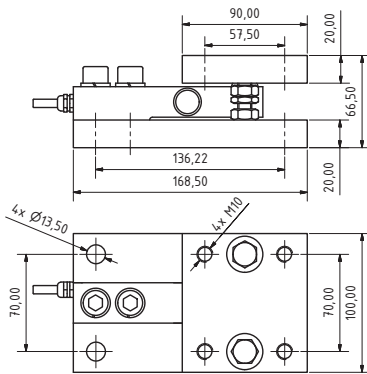
Dimensions (mm)

CN. up to (kg)	A	B	C
300	52.5	M12	70
500	47.5	M12	75
1000	42.5	M16	100



SILENT-BLOCK

Ref.	Description	#Code
STCC-1	Silent-block	510042

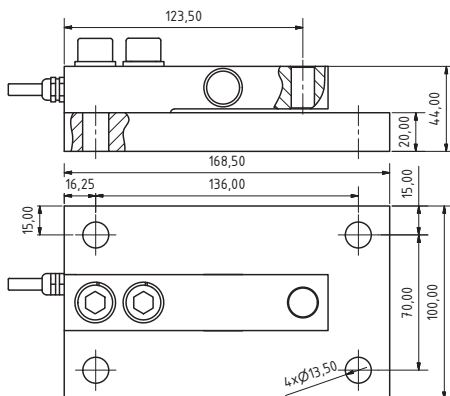


Dimensions en (mm)



MOUNTING KIT FOR SILOS. LIFT OFF PROTECTION

Ref.	Description	#Code
AVTCC-1	Mounting kit for silos. Lift-off protection.	510034
AVTCC-1I	Mounting kit for silos. Lift-off protection. INOX	510035



Dimensions en (mm)



BASE PLATE

Ref.	Description	#Code
BTCC-1	Base plate	510065

