



# TCC-4

## 300 » 2500 kg

CAPACITY

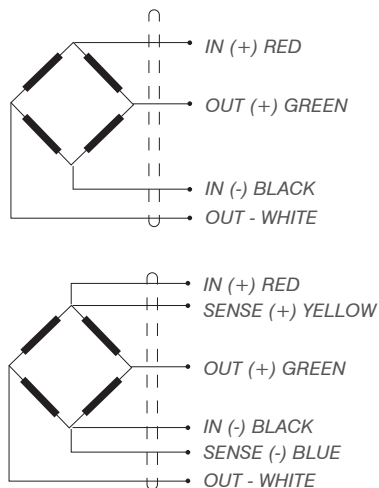
SHEAR BEAM LOAD CELL

### APPLICATIONS

Platforms 4 load cells.  
 Silos, Hopper weighing y Tanks.

### FEATURES

Shear beam load cell.  
 3000 divisions OIML R60 Class C.  
 Fully stainless steel construction.  
 Hermetically sealed by laser welding.  
 Protected against humidity IP68 (EN60529).



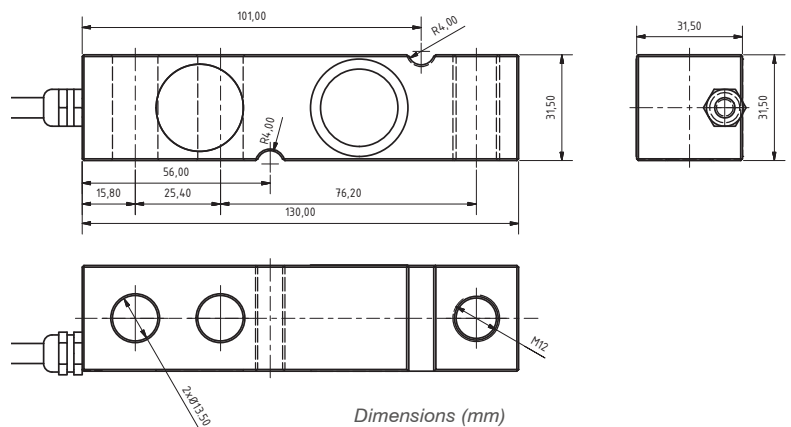
 3000d OIML Certificate No.R60/2000-ES-04.01  
 E-18.02.C04



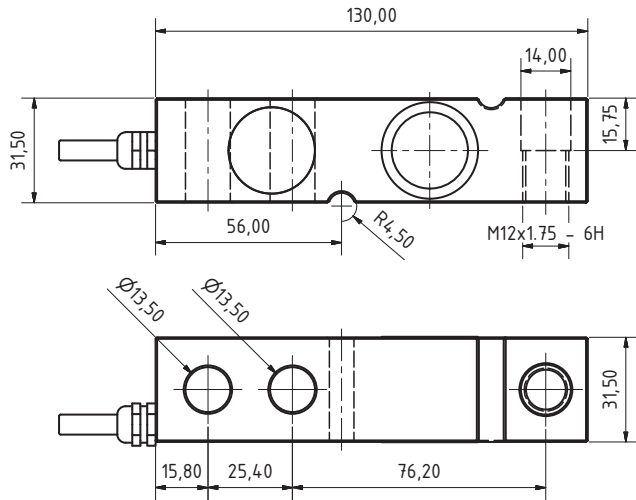
### SPECIFICATIONS

Nominal capacities (Ln)	300-500-750-1000-1500-2000-2500 kg
Accuracy class	C3 n. OIML
Minimum dead load	0 %Ln
Service load	125 %Ln
Safe load limit	150 %Ln
Maximum combined error	0,017% N.L
Repeatability error	< ±0.015 %Sn
Temperature effect:	< ±0.01 %Sn/5 °C
On zero on sensitivity	< ±0.006 %Sn/5 °C
Creep error (30 minutes)	< ±0.016 %Sn
Compensated temperature range	-10.. +40 °C
Temperature limits	-20...+70 °C
Input voltage range	5..12 V
Input impedance	383Ω±2% ó 1100Ω±2%
Output impedance	350±3Ω ó 1000±3Ω
Nominal sensitivity (Sn)	2 mV/V ±1%
Insulation resistance	> 5000 MΩ
Cable length	5 m

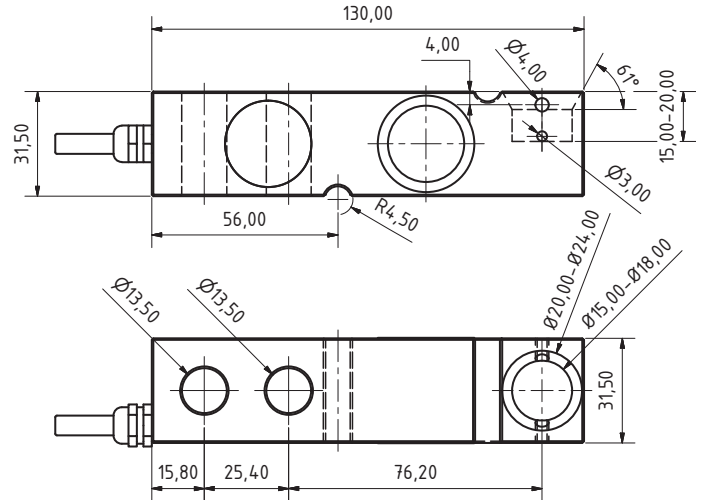
### LOAD CELL TCC-4



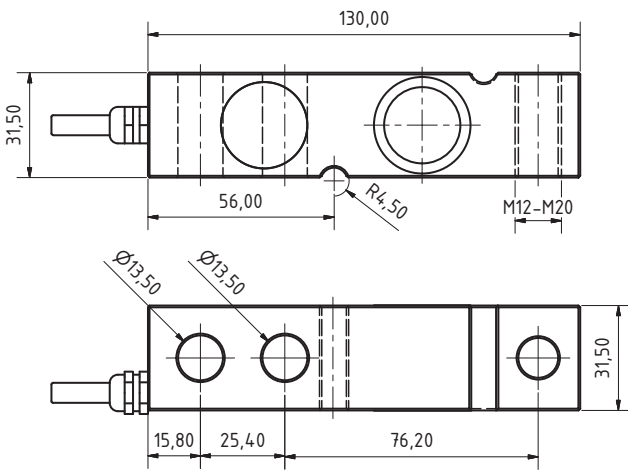
**LOAD CELL TCC-4a**



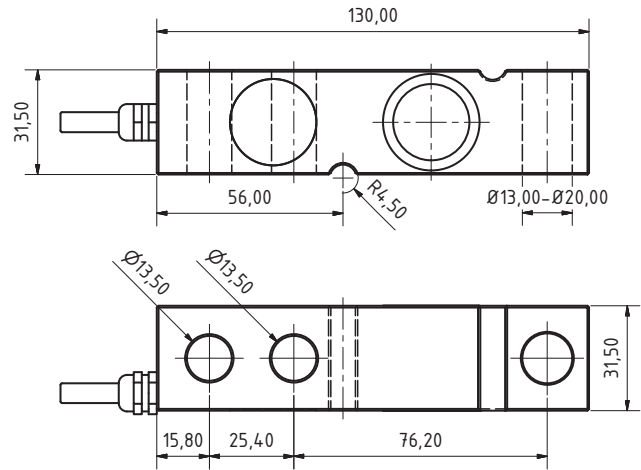
**LOAD CELL TCC-4c**



**LOAD CELL TCC-4b**



**LOAD CELL TCC-4d**



Reference	Nominal capacities Ln (kg)	Accuracy class n. OIML	y = emax / vmin	#Code TCC-4	#Code TCC-4a	#Code TCC-4b	#Code TCC-4c	#Code TCC-4d
TCC-4/300	300	C3	10000	710152	710153	710154	710155	710156
TCC-4/500	500	C3	10000	710157	710158	710159	710160	710161
TCC-4/750	750	C3	10000	710162	710163	710164	710165	710166
TCC-4/1000	1000	C3	10000	710167	710168	710169	710170	710171
TCC-4/1500	1500	C3	10000	710172	710173	710174	710175	710176
TCC-4/2000	2000	C3	10000	710177	710178	710179	710180	710181
TCC-4/2500	2500	C3	10000	710182	710183	710184	710185	710186

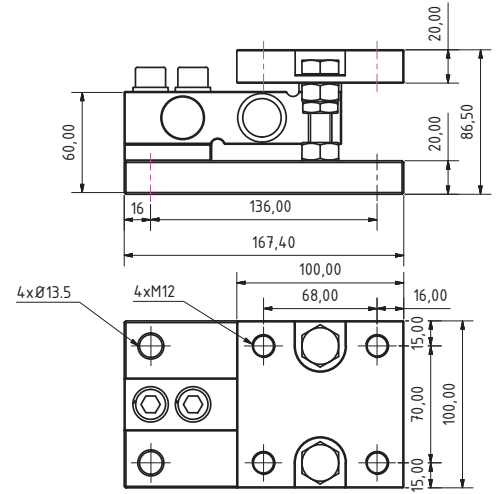
# TCC-4

## ACCESSORIES



### SILOS ACCESSORY

Ref.	Description	#Code
AVTCC-4	Mounting kit for silos. Lift off protection. Zinc-plated	510037
AVTCC-4i	Mounting kit for silos. Lift off protection. INOX	510055



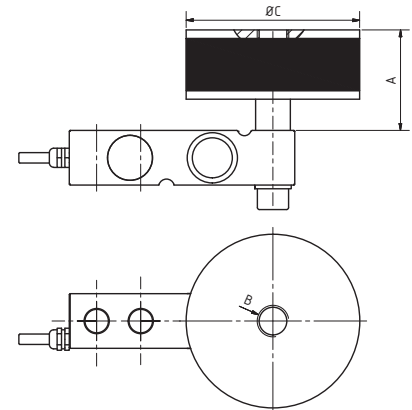
Dimensions en (mm)



C.N. (kg)	A	B	C
300	68	M12	70
500	63	M12	75
1000	58	M16	100
2000	78	M16	150

### SILENT-BLOCK

Ref.	Description	#Code
STCC-4	Silent-Block TCC-4	510044



Dimensions en (mm)

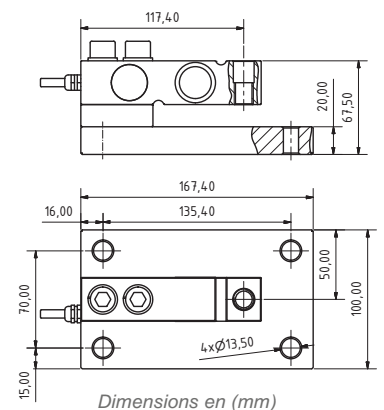


### SELF-CENTERING LOAD FOOT

Ref.	Description	#Code
PPM-12	Self-centering load foot M12 steel	510029
PPM-12i	Self-centering load foot M12 stainless steel	510030

### BASE PLATE

Ref.	Description	#Code
BTCC-4	Base plate zinc plated steel	510067
BTCC-4i	Base plate stainless steel	510094



Dimensions en (mm)

