



TPF-16D

18 » 40kg CAPACITY

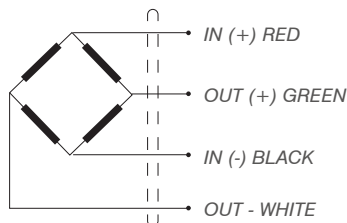
SINGLE POINT

APPLICATIONS

Bench platform up to 400x400 mm.

FEATURES

- Single point load cell.
- Bending beam load cell.
- Low profile.
- Fully stainless steel construction.
- 3000 divisions OIML R60 Class C.
- Direct platform mounting.
- High accuracy with off-center loads.
- Protected against humidity IP66 (EN60529).

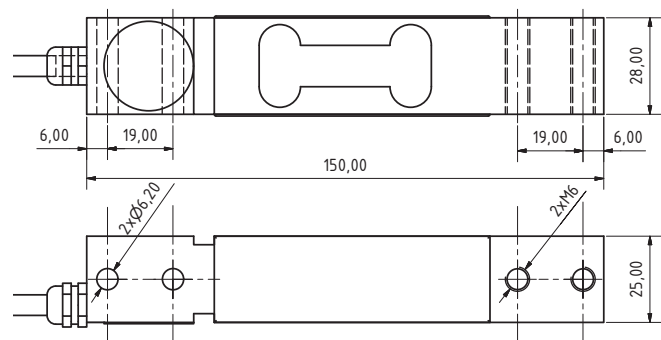


CE 6000d OIML Certificate No.R60/1991-ES-99.02



SPECIFICATIONS

Nominal capacities (LN)	18-20-25-30-35-40 kg
Accuracy class	6000 n. OIML
Minimum dead load	0 %Ln
Service load	150 %Ln
Safe load limit	200 %Ln
Maximum combined error	< ± 0,017 %Sn
Repeatability error	< ± 0.015 %Sn
Temperature effect:	< ± 0.01 %Sn/5°C
On zero on sensitivity:	< ± 0.006 %Sn/5°C
Creep error	< ± 0.016 %Sn
Temperature compensation	-10..40 °C
Temperature limits	-20..50 °C
Nominal sensitivity	2 ± 0.1% mV/V (2)
Nominal input voltage	10 V
Maximum input voltage	15 V
Input impedance	386Ω ± 2%
Output impedance	350 ± 3Ω
No load output (SN)	< ± 2 %Sn
Insulation resistance	> 5000 MΩ
Maximum deflection	0.2-0.4 mm
Cable length	5 m



Dimensions (mm)

Reference	Nominal capacities - Ln (kg)	Accuracy class n. OIML	y = emax / vmin	Platform (mm)	#Code
TPF-16D/18	18	6000	11500	400 x 400	710209
TPF-16D/20	20	6000	11500	400 x 400	710210
TPF-16D/25	25	6000	11500	400 x 400	710211
TPF-16D/30	30	6000	11500	400 x 400	710212
TPF-16D/35	35	6000	11500	400 x 400	710213
TPF-16D/40	40	6000	11500	400 x 400	710214

