



# TPF-1A

5 » 30kg CAPACITY

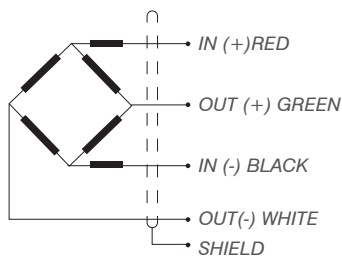
## SINGLE POINT

### APPLICATIONS

Bench platform up to 400 x 400 mm.  
Tanks y Hopper weighing.

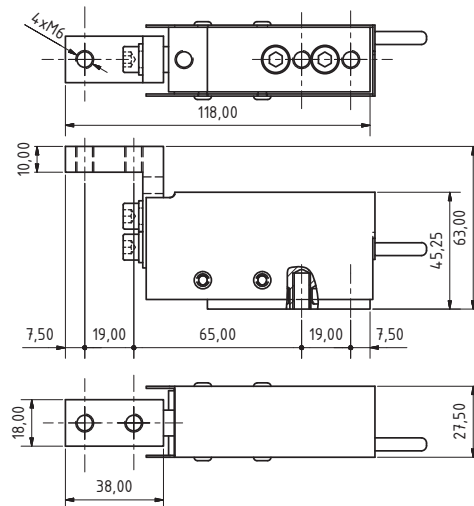
### FEATURES

Single point load cell.  
Bending beam load cell.  
3000 divisions OIML R60 Class C.  
Direct platform mounting.  
High accuracy with off-center loads.  
Protected against centered overload.  
Protected against humidity IP65.



### SPECIFICATIONS

Nominal capacities	5-7.5-10-15-20-25-30 kg
Input impedance	386Ω±2%
Output impedance	350±3Ω
Accuracy class	3000
Input voltage range	5..12 V
Nominal sensitivity	2mV/V
Operating temperature range	-10 a +50°C
Sensitivity tolerance	+/- 0.1% (N.L.)
Service load	150% (N.L.)
Safe load limit	> 200 % (N.L.)
Temperature effect on sensitivity	(-10...+40°C): < +/-0.001%/°C
Temperature effect on zero	(-10...+50°C): < +/-0.002%/°C
Maximum combined error	< +/- 0.02 (N.L.)
Creep in 30' at 20°C	+/- 0.02%
Cable length	5 m



Dimensions (mm)

Reference	Nominal capacities - Ln (kg)	Accuracy class n. OIML	y = emax / vmin	Platform (mm)	#Code
TPF-1A/5	5	3000	7500	400 x 300	710215
TPF-1A/7.5	7.5	3000	7500	300 x 400	710216
TPF-1A/10	10	3000	7500	400 x 400	710217
TPF-1A/15	15	3000	7500	400 x 400	710272
TPF-1A/20	20	3000	7500	400 x 400	710273
TPF-1A/25	25	3000	7500	400 x 400	710219
TPF-1A/30	30	3000	7500	400 x 400	710220

