



TPF-1

5 » 40kg CAPACITY

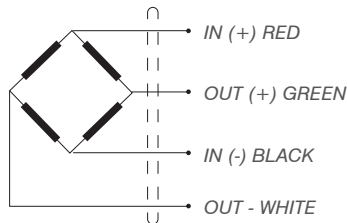
SINGLE POINT

APPLICATIONS

Bench platform up to 400x400 mm.

FEATURES

- Single point load cell.
- Bending beam load cell.
- Fully stainless steel construction.
- 3000 divisions OIML R60 Class C.
- Direct platform mounting.
- High accuracy with off-center loads.
- Low profile.
- Protected against humidity IP66(EN60529).

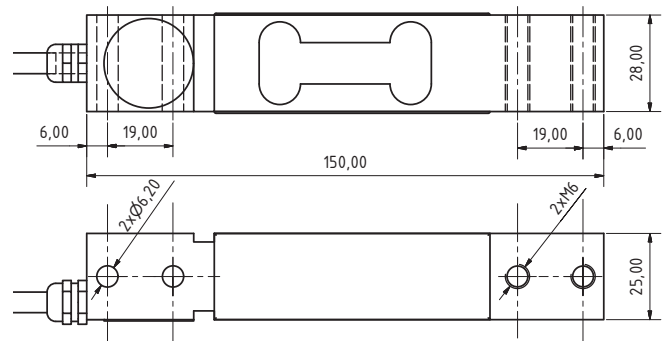


CE 3000d OIML Certificate N°.R60/1991-GB1-97.03



SPECIFICATIONS

Nominal capacities (LN)	5-10-15-18-20-25-30-35-40 kg
Accuracy class	3000 n. OIML
Minimum dead load	0 %Ln
Service load	150 %Ln
Safe load limit	200 %Ln
Maximum combined error	< ± 0,017 %Sn
Repeatability error	< ± 0.015 %Sn
Temperature effect:	< ± 0.01 %Sn/5°C
On zero on sensitivity:	< ± 0.006 %Sn/5°C
Creep error	< ± 0.016 %Sn
Temperature compensation	-10..40 °C
Temperature limits	-20..50 °C
Nominal sensitivity	2±0.1% mV/V (2)
Nominal input voltage	10 V
Maximum input voltage	15 V
Input impedance	386Ω±2%
Output impedance	350±3Ω
No load output (SN)	< ±2 %Sn
Insulation resistance	> 5000 MΩ
Maximum deflection	0.2-0.4 mm
Cable length	5 m



Dimensions (mm)

Reference	Nominal capacities - Ln (kg)	Accuracy class n. OIML	y = emax / vmin	Platform	#Code
TPF-1/5 M	5	3000	7690	400 x 300	710202
TPF-1/10	10	3000	7690	300 x 400	710203
TPF-1/15	15	3000	7690	400 x 400	710204
TPF-1/20	20	3000	7690	400 x 400	710205
TPF-1/25	25	3000	7690	400 x 400	710272
TPF-1/30	30	3000	7690	400 x 400	710206
TPF-1/35	35	3000	7690	400 x 400	710207
TPF-1/40 M	40	3000	7690	400 x 400	710208

