



# TSC-5

## 300 » 6300kg

CAPACITY

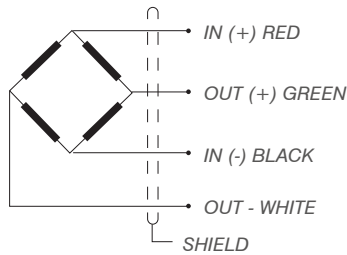
TENSION LOAD CELL

### APPLICATIONS

Cranes, Crane Scales, Silos.  
 Hopper weighing. Overload protection.

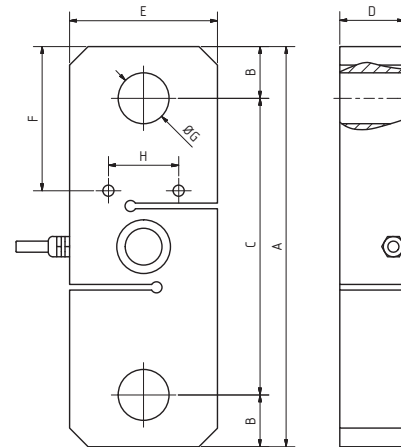
### FEATURES

Tension load cell.  
 3000 divisions OIML R60 Class C.  
 Hermetically sealed.  
 Fully stainless steel construction.  
 Protected against humidity IP67 (EN60529).



### SPECIFICATIONS

Nominal capacities	300-500-1000-2000-3200-6300 kg
Accuracy class	3000
Input impedance	386Ω ± 2%
Output impedance	350 ± 3Ω
Input voltage range	5..12 V
Nominal sensitivity	2mV/V
Operating temperature range	-10 a +50°C
Service load	120% (N.L.)
Safe load limit	>300 % (N.L.)
Sensitivity tolerance	+/- 0.1% (N.L.)
Temperature effect on sensitivity (-10...+40°C)	< +/- 0.001%/°C
Temperature effect on zero (-10...+50°C)	< +/- 0.002%/°C
Maximum combined error	< +/- 0.02 (N.L.)
Creep in 30' at 20°C	+/- 0.02%
Cable length	5 m
Electrical connection	4 wires



Dimensions (mm)

C.N. (kg)	A	B	C	D	E	F	ØG	H
300	183	24	135	19	50	61.5	17.5	38
500	183	24	135	19	50	61.5	17.5	38
1000	183	24	135	19	50	61.5	17.5	40
2000	183	24	135	19	60	61.5	17.5	44
3200	194	24	146	28	60	68	21	44
6300	216.5	28	160.5	35	80	78	27.5	44

Reference	Nominal capacities Ln (kg)	Accuracy class n. OIML	y= emax / vmin	# Code
TSC-5/300	300	3000	7500	710265
TSC-5/500	500	3000	7500	710266
TSC-5/1000	1000	3000	7500	710267
TSC-5/2000	2000	3000	7500	710268
TSC-5/3000	3000	3000	7500	710269
TSC-5/3200	3200	3000	7500	710270
TSC-5/6300	6300	3000	7500	710271

